

LCD Display type 801



Type 801 digital indicators are compatible with all sensors with DIN plug EN 175301-803-A.

Independent of the mounting position of the sensor, the display can be rotated to give the ideal reading position. The 801 has a 3 digit liquid-crystal display which is adjustable by the customer, or available factory set.

- Portable plug-in indicator
- Irrespective of the installation arrangement of your transducer the display module can be rotated and turned to give the ideal reading-position
- Protection class IP 65 with screw-fastened DIN EN 175301-803 connectors

Technical overview

Temperature

Ambient	0 ... +60 °C
Storage	-20 ... +75 °C

Electrical overview

Current consumption	0 ... 5 V / 0 ... 10 V / 0 ... 20 mA	< 4 mA
	4 ... 20 mA	voltage drop 8 V
Signal / power supply ¹⁾	3 wire	0 ... 5 V
		0 ... 10 V
	2 wire	4 ... 20 mA
Internal resistance		11 ... 33 VDC, 24 VDC ± 15 %
		18 ... 33 VDC, 24 VAC ± 15 %
		> 100 kOhm
		> 100 kOhm
	0 ... 10 V	> 100 kOhm
	0 ... 20 mA	< 50 Ohm

Dynamic response

Response time	< 5 ms
---------------	--------

Accuracy

Typically at ambient temperature 23 °C	≤ ± 2 digit typ.
Long term stability (after 1 year)	≤ ± 2 digit typ.
TC zero point ²⁾	≤ ± 0.2 digit/K typ.
TC sensitivity ²⁾	≤ ± 0.2 digit/K typ.

Electrical connection

Connector DIN EN 175301-803

Display

Liquid crystal	3 digit	character height 9.4 mm
----------------	---------	-------------------------

Indication capabilities (All intermediate values steplessly adjustable)

Lowest value	highest value
-1.00	9.00
.000	.900
0.00	9.00
00.0	90.0
000	900

Protection standard

IP 65 with seals and fastened connectors. To maintain the protection standard, avoid constantly twisting the individual modules.

Calibration

Factory calibration (indicate on order).

Calibration by the customer using two 10- turn potentiometers (zero point and end value) and DIP switches to position the decimal point.

Case construction

Polyamid

Weight

~ 95 g

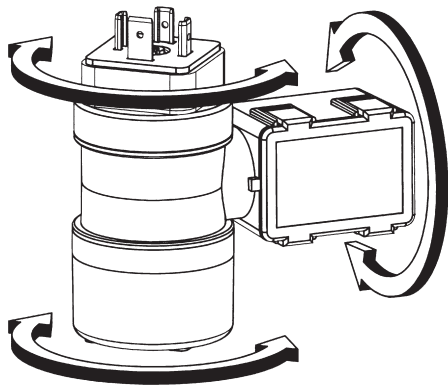
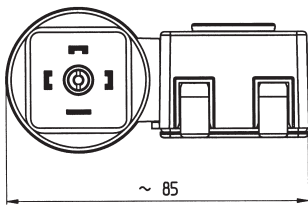
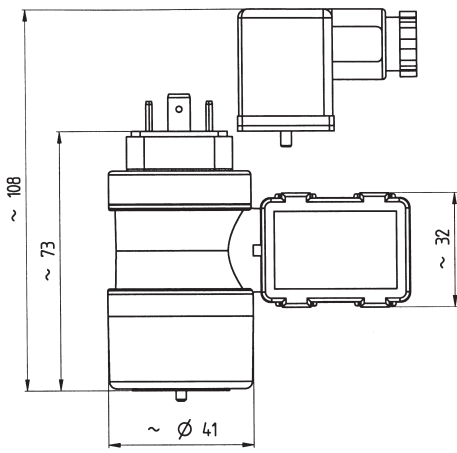
Test / Admissions

Electromagnetic compatibility CE conformity according EN 61326-2-3.

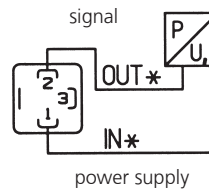
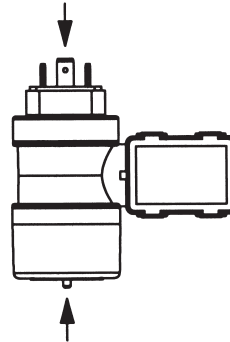
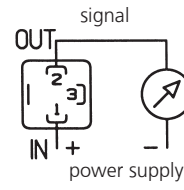
		1	2	3	4
Order code selection table		801.	X	X	X
Signal / power supply	0 ... 5 V 11 ... 33 VDC/24 VAC ± 15%	0			
	0 ... 10 V 18 ... 33 VDC/24 VAC ± 15%	1			
	0 ... 20 mA 18 ... 33 VDC	2			
	4 ... 20 mA 8 ... 33 VDC	3			
Display unit (Text on display)	without text (adhesive labels for units enclosed, loose)		0		
	mbar		1		
	bar		2		
	kg / cm ²		3		
	Inch H2O		4		
	psi		5		
Factory adjustment	kPa		6		
	without factory setting			0	
	with factory setting (state on order)	Example: 0 Volt Indication 00.0 10 Volt Indication 10.0			
Note: Always indicate 3 places and decimal point (– before 1 st place)			1	W	

¹⁾ Short circuit-proof and protected against polarity reversal. Each connection against other with max. supply voltage.

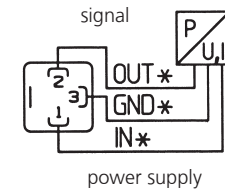
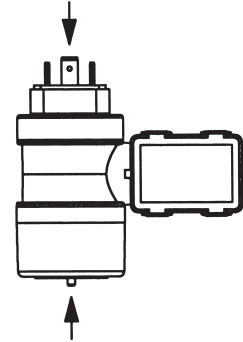
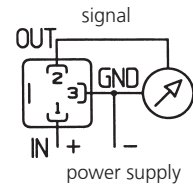
²⁾ TC = Temperature coefficient



2-wire



3-wire



When used with Huba transmitters the supply voltage is 19 ... 40 VDC for 4 ... 20 mA, 2-wire versions

maximum permitted additional load $< \frac{U_{in} [V] - 19}{0.02} [Ohm]$

Huba Control AG

Headquarters

Industriestrasse 17
5436 Würenlos
Telefon +41 (0) 56 436 82 00
Telefax +41 (0) 56 436 82 82
info.ch@hubacontrol.com

Huba Control AG

Niederlassung Deutschland

Schlattgrabenstrasse 24
72141 Walddorfhäslach
Telefon +49 (0) 7127 23 93 00
Telefax +49 (0) 7127 23 93 20
info.de@hubacontrol.com

Huba Control SA

Succursale France

Rue Lavoisier
Technopôle Forbach-Sud
57602 Forbach Cedex
Téléphone +33 (0) 387 847 300
Télécopieur +33 (0) 387 847 301
info.fr@hubacontrol.com

Huba Control AG

Vestiging Nederland

Hamseweg 20A
3828 AD Hoogland
Telefoon +31 (0) 33 433 03 66
Telefax +31 (0) 33 433 03 77
info.nl@hubacontrol.com

Huba Control AG

Branch Office United Kingdom

Unit 13 Berkshire House
County Park Business Centre
Shrivenham Road
Swindon Wiltshire SN1 2NR
Phone +44 (0) 1993 776667
Fax +44 (0) 1993 776671
info.uk@hubacontrol.com